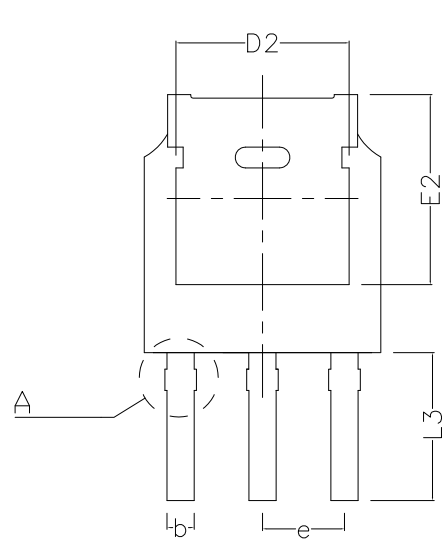
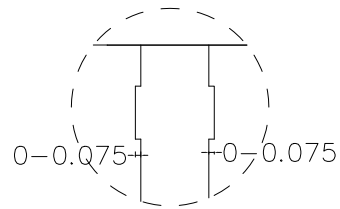


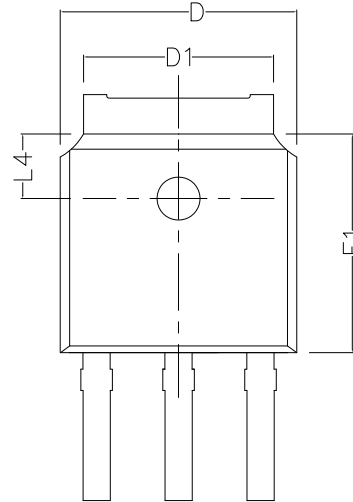
REVERSION	REVERSION RECORD	DATE	NAME
A	NEW DRAW	2019/1/12	Kang
B	UPDATE 'E2' 'L3' DIMENSION	2021/7/2	ChenYJ
C	UPDATE 'E' DIMENSION	2023/3/24	ChenYJ



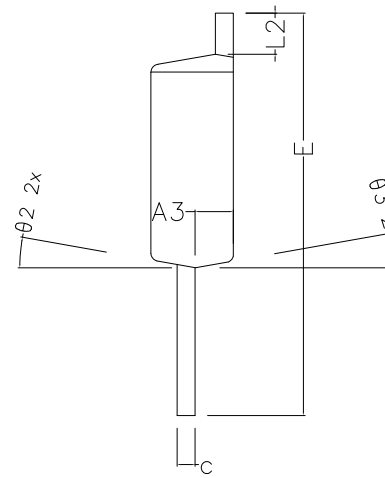
BOTTOM VIEW



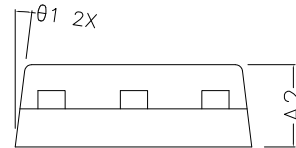
DETAIL A



TOP VIEW



SIDE VIEW



SIDE VIEW

COMMON DIMENSIONS
(UNITS OF MEASURE IS mm)

	MIN	NORMAL	MAX
A2	2.200	2.300	2.400
A3	1.020	1.070	1.120
b	0.710	0.760	0.810
c	0.460	0.508	0.550
D	6.500	6.600	6.700
D1	5.330REF		
D2	4.830REF		
△E	10.600	10.800	11.000
E1	6.000	6.100	6.200
△E2	5.60REF		
e	2.286TYPE		
L2	1.10REF		
△L3	3.60REF		
L4	1.80REF		
θ1	7° TYPE		
θ2	10° TYPE		
θ3	10° TYPE		



深圳市金誉半导体股份有限公司
SHENZHEN JINYU SEMICONDUCTOR CO.,LTD

T0-251

THIRD ANGLE PROJECTION				SCALE	1:1	UNIT	mm
				APPROVALS		DATE	
TOLERANCE				DESIGNER	ChenYJ	2023.03.24	
0	0.0	0.00	0.000	CHECKER	XieWH	2023.03.24	
				APPROVER	LinHB	2023.03.24	

DRG NO.	JY-POD-23	REV: C
FILE NO.	JY-RE-022-23	SHEET:1 OF 1