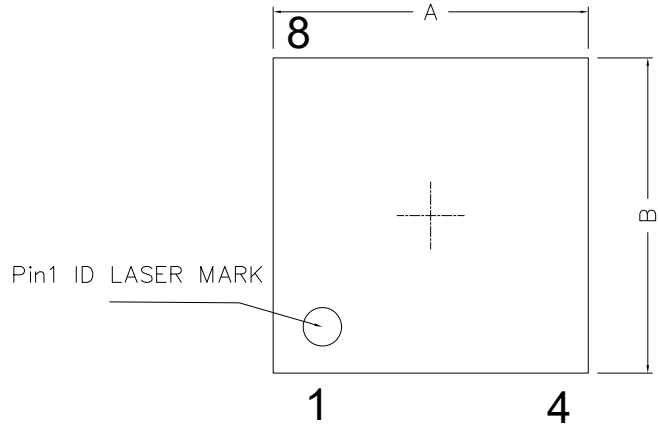
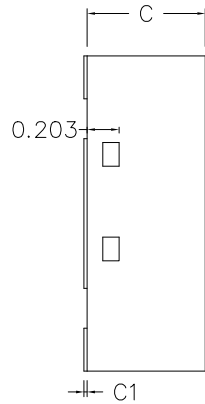


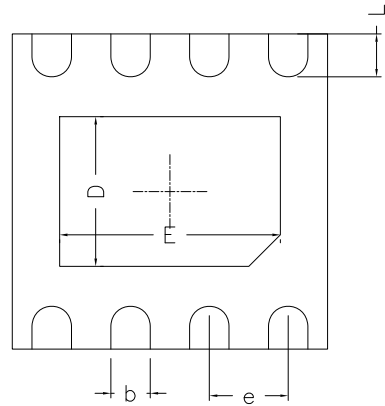
REVERSION	REVERSION RECORD	DATE	NAME
A	NEW DRAW	2021/6/17	ChenYJ
B	ADD PLATING LAYER DIMENSION	2022.7.20	ChenYJ



TOP VIEW



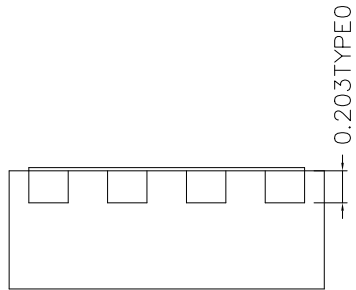
SIDE VIEW



BOTTEM VIEW

COMMON DIMENSIONS
(UNITS OF MEASURE IS mm)

	MIN	NORMAL	MAX
A	1.900	2.000	2.100
B	1.900	2.000	2.100
C	0.700	0.750	0.800
C1	0.005	—	0.020
D	0.900	0.950	1.000
E	1.350	1.400	1.450
L	0.250	0.300	0.350
b	0.200	0.250	0.300
e	0.500 TYPE		



SIDE VIEW



深圳市金誉半导体股份有限公司
SHENZHEN JINYU SEMICONDUCTOR CO.,LTD

THIRD ANGLE PROJECTION				SCALE	1:1	UNIT	mm
TOLERANCE				APPROVALS		DATE	
0	0.0	0.00	0.000	DESIGNER	ChenYJ	2022.7.20	
				CHECKER	XieWH	2022.7.20	
				APPROVER	LinHB	2022.7.20	

DFN2x2-8L 0.75T
0.50 PITCH

DRG NO.	JY-POD-29	REV: B
FILE NO.	JY-RE-022-29	SHEET:1 OF 1