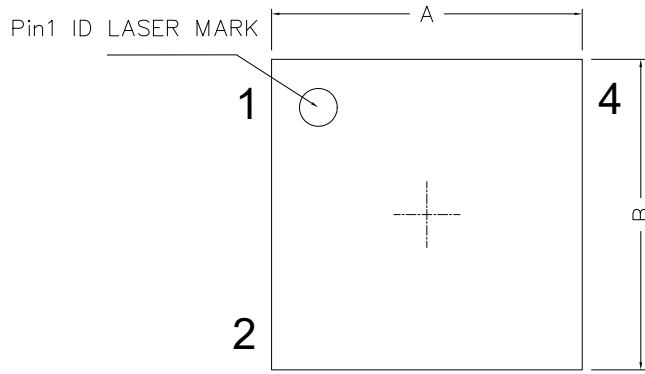


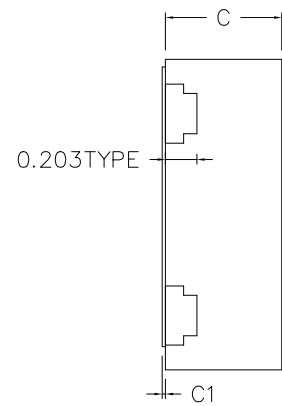
REVERSION	REVERSION RECORD	DATE	NAME
A	NEW DRAW	2021/6/21	ChenYJ
B	UPDATE LEAD/ EPAD DRAW	2021/9/14	ChenYJ
C	ADD PLATING LAYER DIMENSION	2022/7/20	ChenYJ

COMMON DIMENSIONS
(UNITS OF MEASURE IS mm)

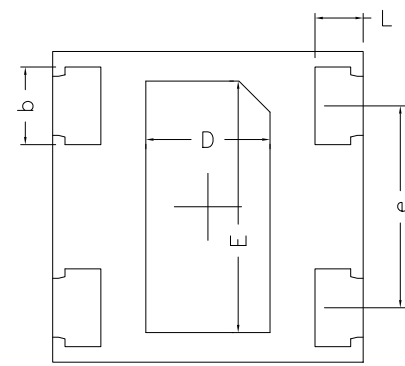
	MIN	NORMAL	MAX
A	1.900	2.000	2.100
B	1.900	2.000	2.100
C	0.700	0.750	0.800
C1	0.005	—	0.020
D	0.750	0.800	0.850
E	1.570	1.620	1.670
L	0.260	0.310	0.360
b	0.450	0.500	0.550
e	1.300 TYPE		



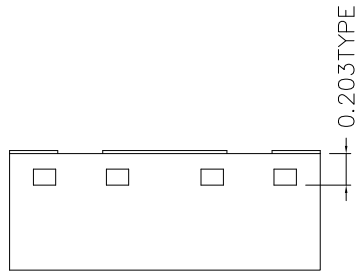
TOP VIEW



SIDE VIEW



BOTTEM VIEW



SIDE VIEW



深圳市金誉半导体股份有限公司
SHENZHEN JINYU SEMICONDUCTOR CO.,LTD

THIRD ANGLE PROJECTION				SCALE	1:1	UNIT	mm
				APPROVALS			DATE
TOLERANCE				DESIGNER	ChenYJ	2022.7.20	
0	0.0	0.00	0.000	CHECKER	XieWH	2022.7.20	
				APPROVER	LinHB	2022.7.20	

DFN2x2-4L 0.75T
1.30 PITCH

DRG NO.	JY-POD-027	REV: C
FILE NO.	JY-RE-022-027	SHEET:1 OF 1