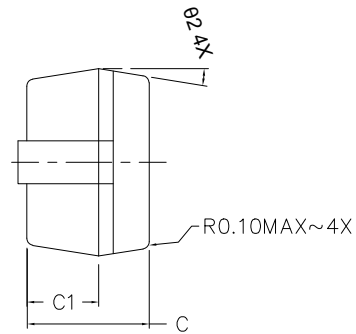
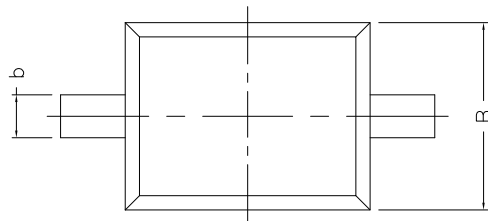
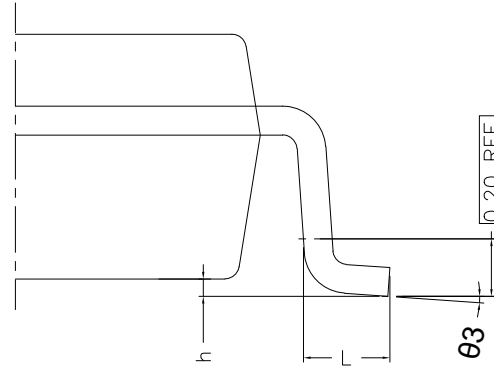
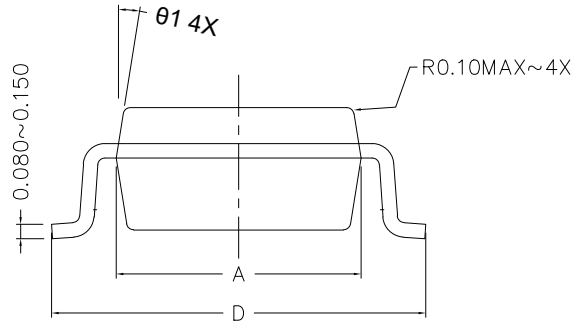


REVERSION	REVERSION RECORD	DATE	NAME
A	NEW DRAW	2019/1/12	Kang
B	UPDATE DRAW FORMAT, D/b DIMENSION	2021/6/21	ChenYJ

COMMON DIMENSIONS
(UNITS OF MEASURE IS mm)

	MIN	NORMAL	MAX
A	1.600	1.700	1.800
B	1.200	1.300	1.400
C	0.750	0.850	0.950
C1	0.450	0.500	0.550
Δ D	2.450	2.600	2.750
L	0.200	0.300	0.400
Δ b	0.200	0.300	0.400
h	0.010	0.050	0.100
$\theta 1$	9° TYPE		
$\theta 2$	9° TYPE		
$\theta 3$	0° ~ 8°		



深圳市金誉半导体股份有限公司
SHENZHEN JINYU SEMICONDUCTOR CO.,LTD

SOD-323

THIRD ANGLE PROJECTION				SCALE	1:1	UNIT	mm
TOLERANCE				APPROVALS			DATE
0	0.0	0.00	0.000	DESIGNER	ChenYJ	2021.06.21	
				CHECKER	XieWH	2021.06.21	
				APPROVER	LinHB	2021.06.21	
				DRG NO.	JY-POD-02	REV: B	
				FILE NO.	JY-RE-022-02	SHEET:1 OF 1	